

A COMMERCIAL SERIES

50 Hz
AIR HANDLER

7½ AND 10 TON

NOMINAL CAPACITY:
90,000 TO 120,000 BTU/H
[26.40 kW TO 35.30 kW]



The A Commercial Series Air Handler is designed for upflow or horizontal application as well as for indoor use only.

Standard Features

- Thermal expansion valve (1) A90, (2) A120
- Dual circuitry on A120 for use with a 10-ton unit or two 5-ton condensing units
- Built-in horizontal and vertical oversized condensate pan to ensure proper drainage
- Cabinet fully insulated with fiberglass blankets
- Built-in filter rack
- Low-voltage and high-voltage entry on front panel
- Transformer, blower relay, and interlock relay are standard on every unit
- Copper tube, aluminum fin coil
- Belt-driven, low-noise, draw-through centrifugal blower for quiet, efficient operation

Accessories

- Room Thermostat (CHT90-120)

Cabinet Features

- Heavy-gauge, G-90 galvanized steel with removable access panels; properly reinforced and braced
- Insulation is supplied in sufficient thickness (1") and density to prevent condensate from forming on the unit casing
- Weather-resistant, baked-on powder epoxy paint finish with 500-hour salt spray approval

Third-Party Tested

- Independent third-party performance tested with matching outdoor sections by ETL Testing Laboratories, Inc., per ARI Standard 210-240



PRODUCT SPECIFICATIONS

SPECIFICATIONS

	A90-00-2	A120-00-5F
Electrical		
Unit Volts-Phase	240-1	380-415-3
Voltage Range	198 - 264	342-435
FLA (Total)	10.6	3.3
Ampacity (Wire Sizing)	11.75	4.2
Blower Motor Type	CAP.START	3-Phase
HP	1½	2
Blower and Controls		
Blower Wheel Diameter and Width	12" x 12"	(2) 11" x 10"
Blower Pulley Pitch Diameter	5½"	6"
Bore	¾	1.0
Motor Pulley Pitch Diameter	1.9" to 2.9"	3.4" to 4.4"
Bore	¾	7/8"
Belt Length and Width	49" x ½"	41" x ½"
Nominal Airflow (feet per minute)	3,000	4,000
Transformer (60 Vac.)	Standard	Standard
Interlock Relay	Standard	Standard
Blower Relay	Standard	Standard
Filter, Coil and Refrigerant		
Filter, Replaceable	32" x 47" x 1"	(2) 16" x 20" x 2" (2) 20" x 20" x 2"
Coil Area (ft²)	8.02	10
Rows-fins Per Inch	2-13	4-14
Metering Device	Expansion valve	(2) Expansion valve
Liquid Connection	⅜"	(2) ⅜"
Suction Connection	1⅛"	(2) 1⅛"
Condensate Drain	¾" FPT	¾" FPT

PERFORMANCE DATA

A90 Air Delivery*

Airflow (ft ³ /min)	External Static Pressure (Inch Water Column)						
	.1	.2	.3	.4	.5	.6	.7
	Fan RPM	Fan RPM	Fan RPM	Fan RPM	Fan RPM	Fan RPM	Fan RPM
2,800	--	--	800	830	850	880	945
2,900	--	775	795	845	860	898	990
3,000	--	800	830	850	880	930	1,010
3,100	790	830	848	865	895	960	1,020
3,200	810	840	850	880	930	1,000	1,030
3,300	850	890	880	895	965	1,020	1,060

* with dry coil and air filter

A120 Delivery*

Air Delivery CFM (ft ³ /min)	Motor Sheave, Turns Open					
Static Pressure (inches of water)	0	1	2	3	4	5
0.2	4,845	4,530	4,280	4,264	4,000	3,750
0.3	4,773	4,430	4,127	4,087	3,830	3,600
0.4	4,608	4,280	3,944	3,879	3,780	3,390
0.5	4,451	4,075	3,779	3,700	3,565	3,137
0.6	4,235	3,886	3,580	3,506	3,325	2,850
0.7	4,060	3,680	3,392	3,274	3,058	2,570
0.8	3,850	3,477	3,163	3,024	2,700	---
0.9	3,685	3,271	2,942	2,665	---	---
1	3,420	3,043	2,523	2,349	---	---

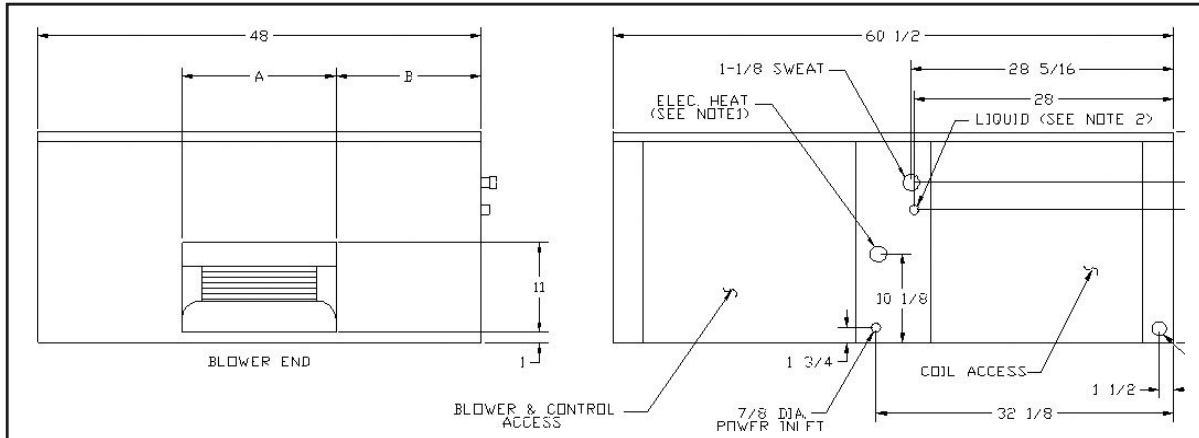
* with dry coil and air filter

Any adjustment made to the blower should not cause the motor to draw more than the motors rated RLA. Applications that exceed the above could require a larger motor.

PRODUCT SPECIFICATIONS

DIMENSIONS

MODEL A90

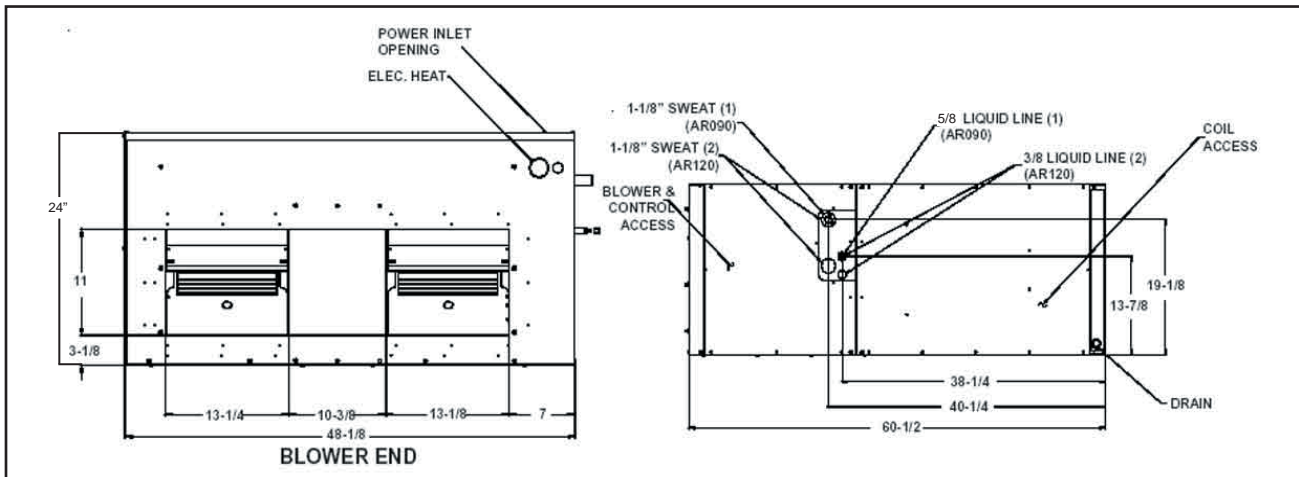


MODEL	A	B
A90	15 5/8"	16 3/8"
Shipping Weight – lbs (kg)		
A90-00-2	342 (155.3)	

Notes:

- Concentric knockouts at 2, 1 3/4, 1 3/8
- A90-00, (1) 1/2 liquid line

MODEL A120

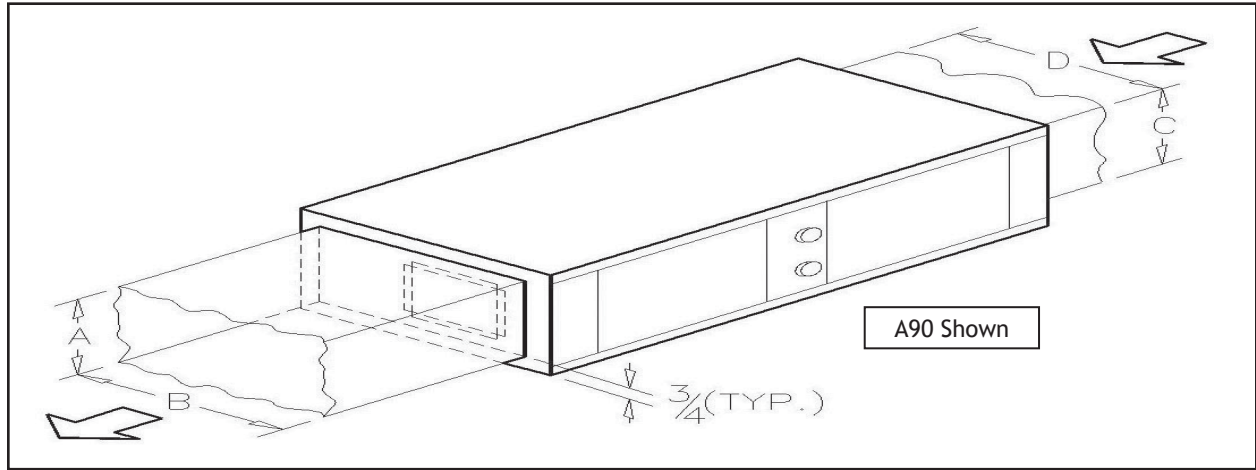


Shipping Weight – lbs (kg)	
A120-00-5F	430 (195)

Notes:

- Concentric knockouts at 2, 1 3/4, 1 3/8
- A120-00, (2) 3/8 liquid line

DUCT CONNECTION SIZING



RECOMMENDED* MINIMUM SUPPLY AND RETURN DUCT DIMENSIONS

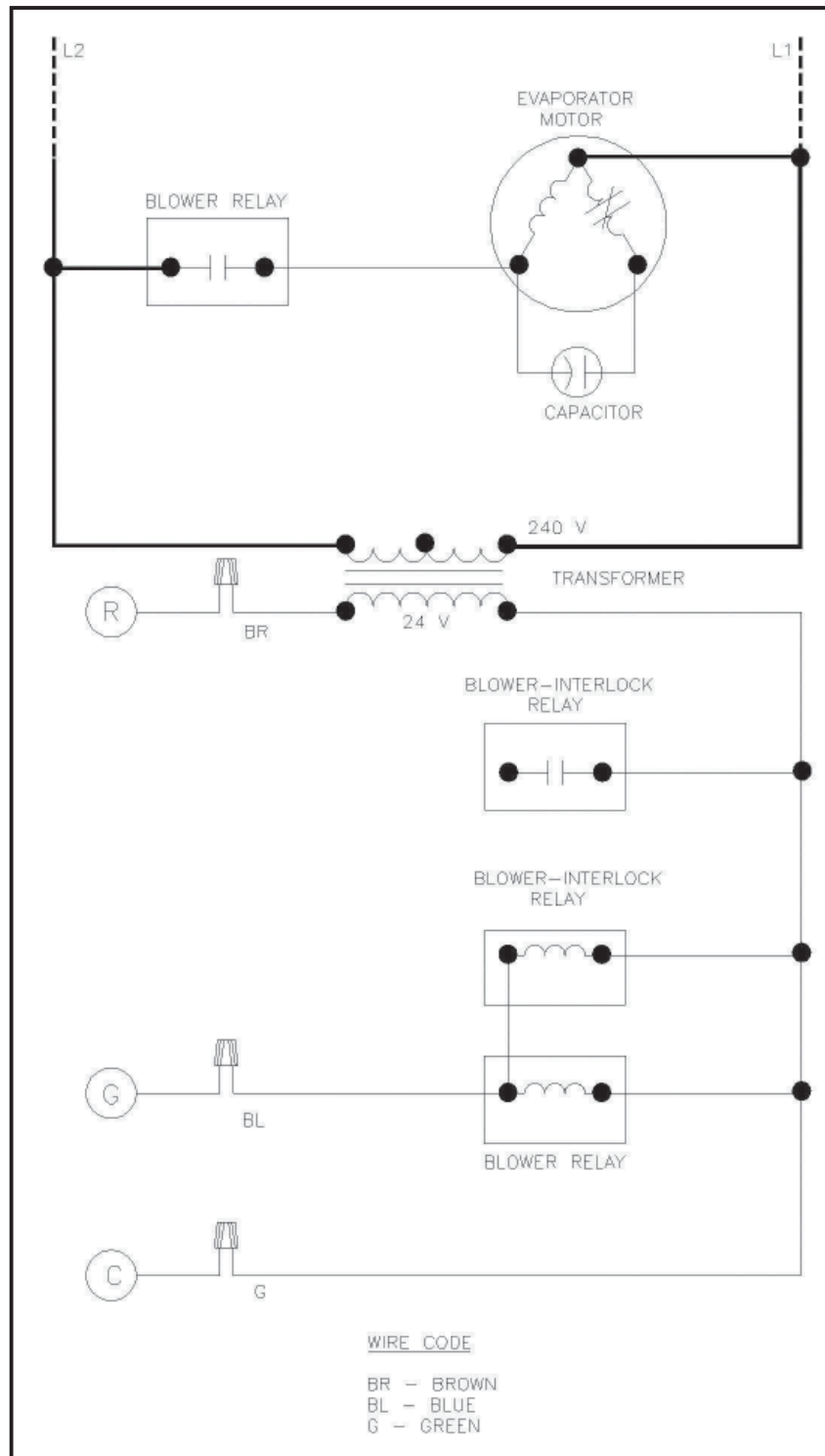
Fan Coil Size	Supply Duct		Return Duct	
	A	B	C	D
A90	11 1/2"	34"	22 1/2"	46 1/2"
A120-00-5F	13 1/8"	40"	24"	48"

Note: It is the installation technicians responsibility to size the duct work for each application.

PRODUCT SPECIFICATIONS

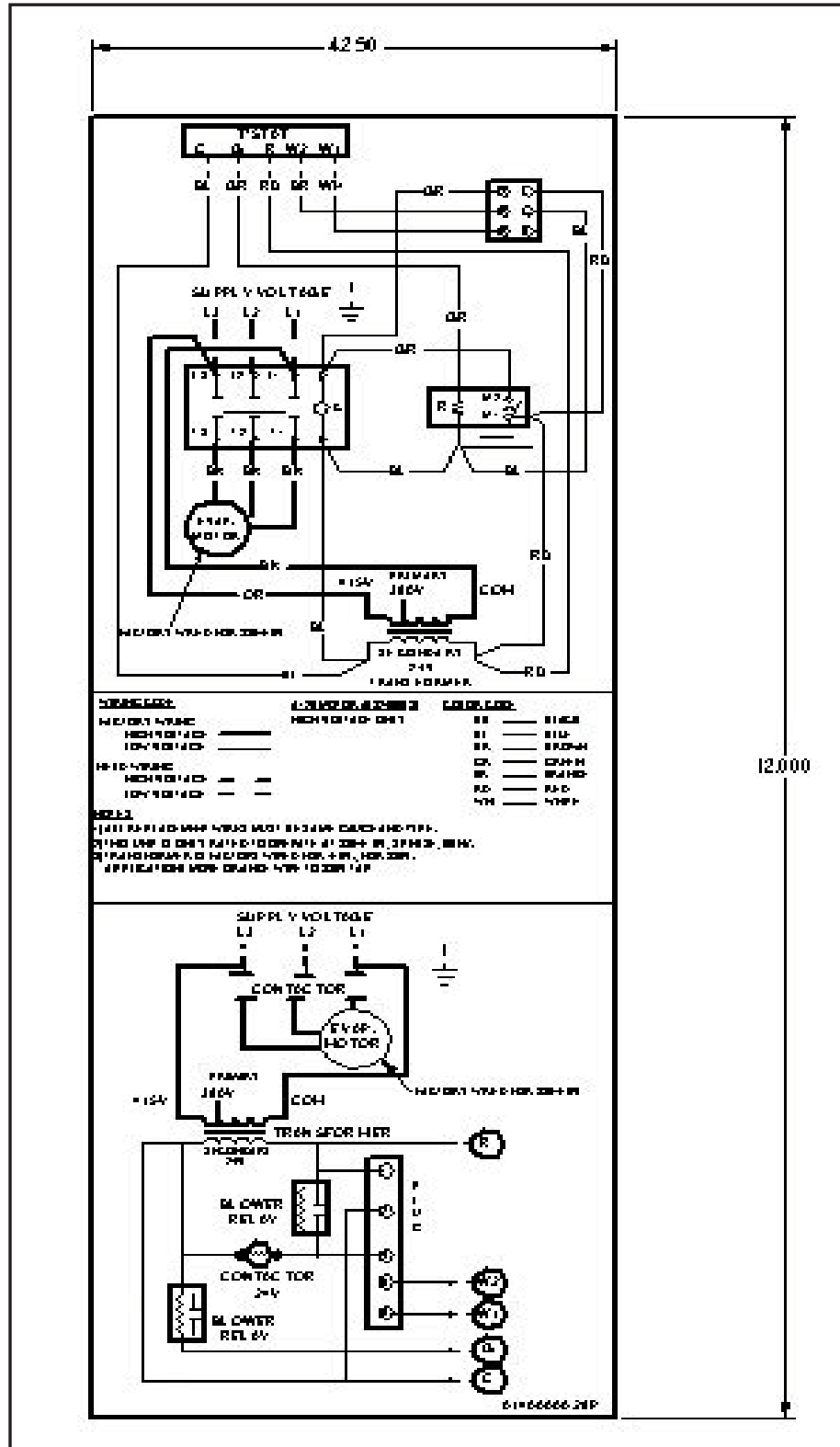
Schematic Wiring Diagram

Model A90



Schematic Wiring Diagram

Model A120



Quality Makes the Difference!

All of our systems are designed and manufactured with the same high-quality standards, regardless of size or efficiency. We have designed these units to significantly reduce the most frequent causes of product failure and use quality materials and components. They are simple to service and forgiving to operate. Finally, every unit is run-tested before it leaves the factory. That's why we know... there's no better quality.

Visit our website at

www.goodmanmfg.com for information on:

Goodman Products • Customer Services • Parts

Goodman Manufacturing Company, L.P.

2550 North Loop West, Suite 400

Houston, Texas 77092 USA

Goodman Manufacturing Company, L.P., reserves the right to discontinue, or change at any time, specifications or designs without notice or without incurring obligations.
Copyright © 2007 Goodman Manufacturing Company, L.P. • Houston, Texas • Printed in the USA.