

CKF SERIES

50 Hz

COOLING-ONLY
2- TO 6-TON
CONDENSING UNIT

NOMINAL CAPACITY:
24,600 TO 64,000 BTU/H
[10.6 kW TO 20.5 kW]



This 50-Hz split system air conditioner allows for ground-level or rooftop applications and has been tested for optimum performance by an independent third party.

Standard Features

- Quiet-operating top discharge
- Brass suction and liquid line shut-off valves
- High-pressure manual reset control
- Copper tube/aluminum fin coils
- Factory-installed liquid line filter dryer
- Contactor with lug connections
- Ground lug connection
- Sweat connections on all units
- Totally enclosed, permanently lubricated condenser motor designed for PSC operation with internal thermal overload protection
- Isolated compressor compartment
- Energy-efficient compressor with internal overload protection
- Designed for use with A Series air handlers
- Independent third-party performance tested with matching outdoor sections by ETL Testing Laboratories, Inc., per ARI Standard 210-240
- CE Certified

Cabinet Features

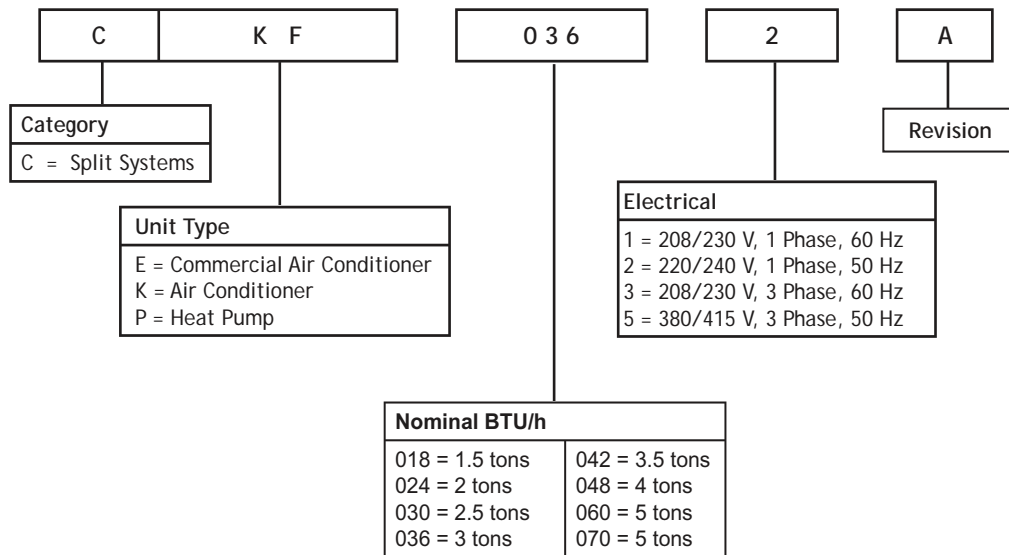
- Unique Goodman® sound control design
- Heavy-gauge, galvanized-steel cabinet properly reinforced and braced
- Steel louver coil guard
- Attractive architectural gray powder-paint finish with 500-hour salt spray approval
- Removable access panels

Accessories

- Cooling-only room thermostat (CT18-60)
- Cooling/Heating room thermostat (CHT18-60)
- Cooling/Heating digital thermostat (CHT18-60-HD)

PRODUCT SPECIFICATIONS

SPECIFICATIONS



PERFORMANCE RATINGS

Outdoor Unit	Indoor Unit	Cooling Capacity (BTU/h)				dBs
		Total	Sensible	EER ¹	kWI ²	
CKF24-2*	A24-00-2RA	24,000	16,800	9.0	2.66	76
	CA*F1824*6*	24,600	17,400	9.0	2.73	76
CKF36-2*	A36-00-2RA	33,000	23,400	9.0	3.67	76
	CA*F3030*6*	34,000	24,200	9.0	3.78	76
CKF36-5*	A36-00-2RA	33,000	23,400	9.0	3.67	76
	CA*F3030*6*	34,000	24,200	9.0	3.78	76
CKF48-5*	A48-00-2A	44,000	32,400	9.0	4.89	78
	CA*F3636*6*	44,000	32,400	9.0	4.89	78
CKF60-5*	A60-00-2R	55,000	37,800	9.0	6.11	78
	CA*F3642*6*	55,000	37,800	9.0	6.11	78
CKF70-5*	A60-00-2R	61,000	41,500	9.0	6.78	80
	CA*F4860*6*	62,000	42,000	9.0	6.89	80
	A90-00-2R	64,000	43,500	9.0	7.11	80

¹ Energy Efficiency Ratio @ 80°F / 67°F / 95°F

² kWI = Compressor + Indoor Blower + Outdoor Fan Watts

Note:

- When mix-matching outdoor and indoor units, the indoor unit check-flowrator must match the outdoor unit size.

SPECIFICATIONS

	CKF24-2*	CKF36-2*	CKF36-5*	CKF48-5*	CKF60-5*	CKF70-5*
Capacities						
Nominal Cooling (BTU/h)	24,600	34,000	34,000	44,000	55,000	64,000
EER ¹	9.0	9.0	9.0	9.0	9.0	9.0
Decibels	76	76	78	78	80	80
Compressor						
RLA	12.5	17.9	5.3	7.4	9	10.9
LRA	61	97.4	42	50	74	101
Volts	220-240	220-240	380-420	380-420	380-420	380-420
Condenser Fan Motor						
Horsepower	1/4	1/4	1/4	1/4	1/4	1/3
FLA	0.9	0.9	0.8	0.8	0.8	1.2
Volts	220-240	220-240	380	380	380	380
Refrigeration System						
Liquid Valve Size ("O.D.)	3/8	3/8	3/8	3/8	3/8	3/8
Suction Valve Size ("O.D.)	3/4	3/4	7/8	7/8	7/8	7/8
Valve Type	Sweat	Sweat	Sweat	Sweat	Sweat	Sweat
Refrigerant Charge	88	89	89	113	121	153
Shipped with Orifice Size	0.059	0.068	0.068	0.078	0.093	0.096
Condenser Fan / Coil						
Horsepower - RPM	1/4-950	1/4-950	1/4-950	1/4-950	1/4-950	1/3-1075
Fan Diameter/ # Fan Blades	20/3	20/3	20/3	22/3	22/3	22/3
Outdoor Nominal CFM	1800	1800	1800	2400	2600	3200
Face Area (ft ²)	13.3	13.3	13.3	15.6	17.1	20
Rows Deep/ Fins per Inch	1/19	1/19	1/19	1/19	1/19	1/22
Fin Type	Ripple	Ripple	Ripple	Ripple	Ripple	Ripple
Coil No. of Tubes	22	22	22	22	24	36
Coil Tube Diameter (in.)	0.375	0.375	0.375	0.375	0.375	0.375
Electrical Data						
Voltage-Hz / Phase	220/240-50/1	220/240-50/1	380/415-50/3	380/415-50/3	380/415-50/3	380/415-50/3
Min. Circuit Ampacity ²	16.6	23.3	7.5	10	12	14.8
Max. Overcurrent Protection (amps) ³	25	40	15	15	20	20
Min / Max Volts	198/264	198/264	342/456	342/456	342/456	342/456
Power Supply Conduit Size	1/2 or 3/4	1/2 or 3/4	1/2 or 3/4	1/2 or 3/4	1/2 or 3/4	1/2 or 3/4
Ship Weight (lbs-[kg])	180 (82)	184 (84)	184 (84)	191 (87)	210 (95)	228 (104)

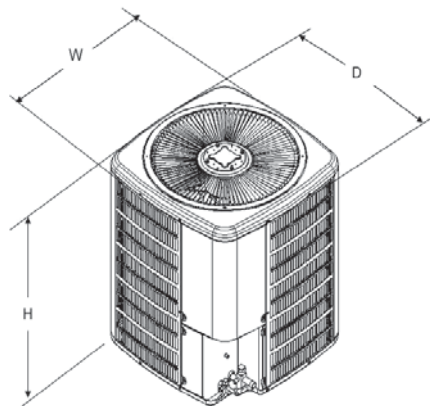
¹ Energy Efficiency Ratio

² Wire size should be determined in accordance with National Electrical Codes. Extensive wire runs will require larger wire sizes.

³ Must use time-delay fuses or HACR-type circuit breakers of the same size as noted.

Note: Always check the S&R plate for electrical data on the unit being installed.

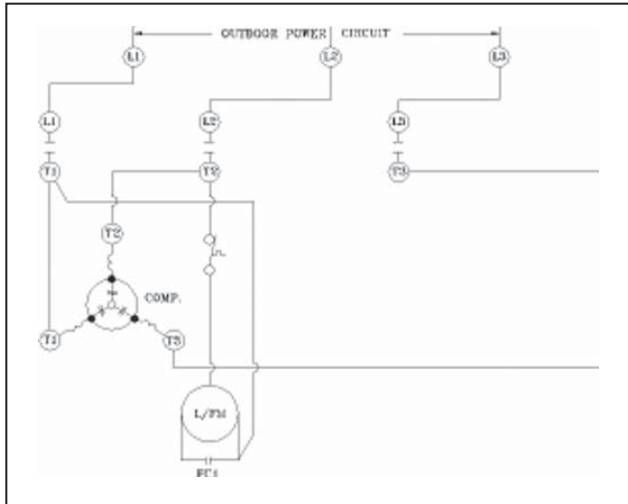
DIMENSIONS



Model	Width	Depth	Height
CKF24-2*	26	26	29¾
CKF36-2*	26	26	29¾
CKF36-5*	26	26	29¾
CKF48-5*	29	29	29¾
CKF60-5*	29	29	32¼
CKF70-5*	29	29	38¼

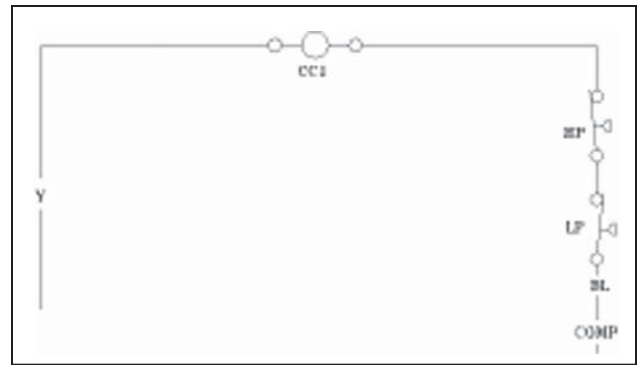
PRODUCT SPECIFICATIONS

SCHEMATIC WIRING DIAGRAM



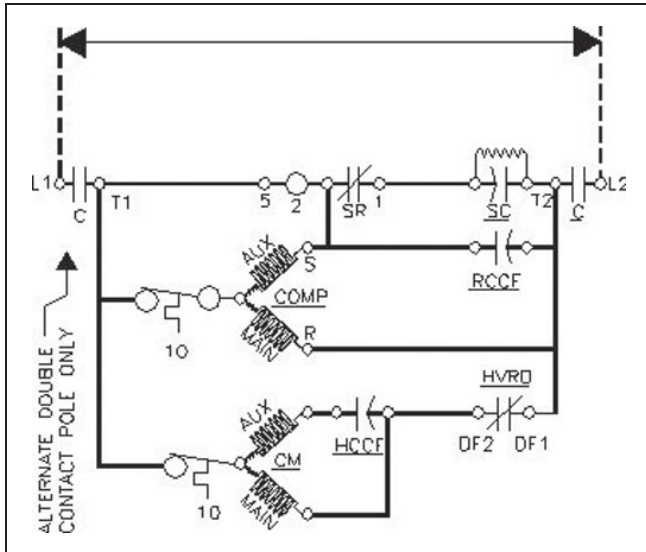
Power Circuit

WIRE CODE: Y - Yellow • PU - Purple



Low-Voltage Circuit

Component Legend
 C - Contactor
 Comp - Compressor
 FC - Fan Motor Capacitor
 HP - High-pressure Control
 FM - Fan Motor
 IO - Internal Overload



Single-Phase Line Voltage

Quality Makes the Difference!

All of our systems are designed and manufactured with the same high-quality standards, regardless of size or efficiency. We have designed these units to significantly reduce the most frequent causes of product failure. They are simple to service and forgiving to operate. We use quality materials and components. Finally, every unit is run-tested before it leaves the factory. That's why we know... there's no better quality.

Visit our website at
www.goodmanmfg.com for information on:
 Goodman Products • Customer Services • Parts

Goodman Manufacturing Company, L.P.
 2550 North Loop West, Suite 400
 Houston, Texas 77092 USA

Goodman Manufacturing Company, L.P., reserves the right to discontinue, or change at any time, specifications or designs without notice or without incurring obligations.
 Copyright © 2003 Goodman Manufacturing Company, L.P. • Houston, Texas • Printed in the USA. • Goodman products are made proudly in the USA.